

NPP-4840-FP-E60D

48x40 (Standard) Plastic Industrial Pallet



Technical Data

Dimensions 48x40x6.1 inches (1219x1016x155 mm)
Weight 34.0 lbs

Load Capacities

Static 8800 lbs
Dynamic 4400 lbs
Racking 2200 lbs

Entry 4-way
Truckload Qty 510
Stack TL / LTL 17 / 15

TL (truckload) and LTL (less-than-truckload) quantities are approximate and may vary by transport equipment or other factors.

Handling Data

Nestable No	Reusability Multi-Trip	ISPM-15 Exempt Yes
Stackable Yes	Destination Captive	Food Grade Yes, non-FDA
Rackable Yes	Airfreight Yes	Pharmaceutical Yes

Materials and Colors

Condition
New

Material HDPP (Recycled) **Color** Black (custom colors available)

Deck Specs

Top Deck
Open

Bottom Deck
6 Runner - Perimeter+2 Cross
(cruciform perimeter base)

Available Options:
RFID Transponders
Individual Markings
Anti-Slip Bottom Grommets
FDA Version
Rod Inserts for Increased Performance.

Features

Ideal for closed loops or distribution chains across industry sectors including Electronics, Food, Retail, Medical and Pharmaceutical.

- High performance at low cost
- Top Safety Rim (raised lip)
- Open deck flow-thru design
- Allows for safe double stacking
- Easy-to-clean hygienic design
- Suitable for packaged food items
(not approved for direct food contact)
- Impervious to acids, fats, solvents and odors
- Resists water absorption & bacteria growth
- Inert to infestation, mold and mildew
- Consistently dimensionally accurate
- Exempt from ISPM 15 shipping regulations



Nelson™

The Nelson Company

(443) 649-5294

plastic@NelsonCompany.com

www.NelsonCompany.com

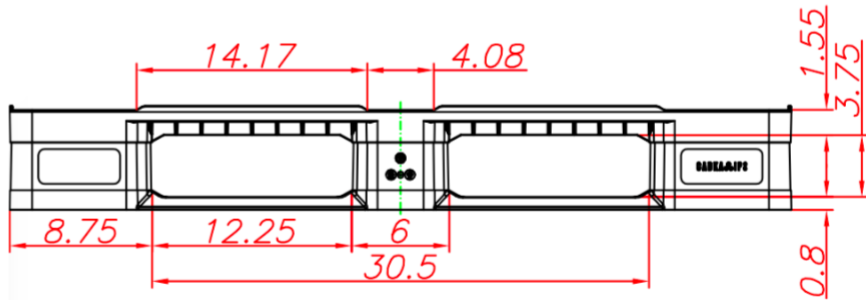
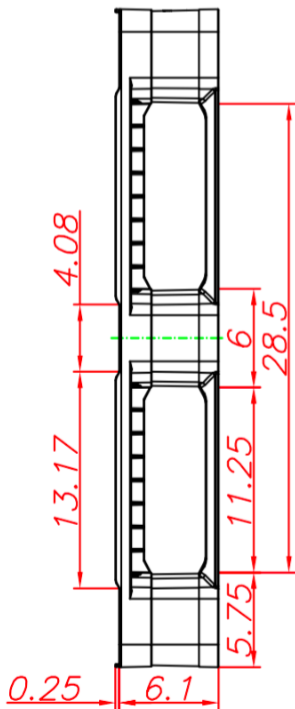
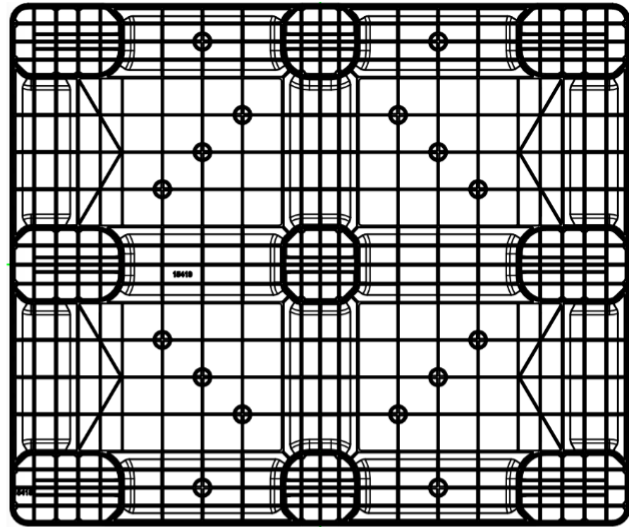
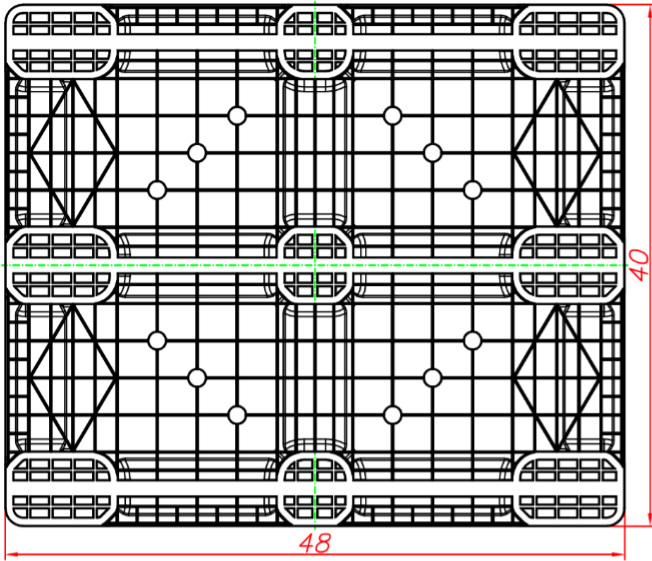
www.NelsonTechCenter.com

NPP-4840-FP-E60D

48x40 (Standard)
Plastic Industrial Pallet



Technical Drawings



Nelson™

The Nelson Company

(443) 649-5294

plastic@NelsonCompany.com

www.NelsonCompany.com

www.NelsonTechCenter.com