

UP-4840-N-107USCD

48x40 (Standard) Plastic Industrial Pallet



Technical Data

Dimensions 48x40x5.1 inches (1219x1016x130 mm)
Weight 14 lbs

Load Capacities

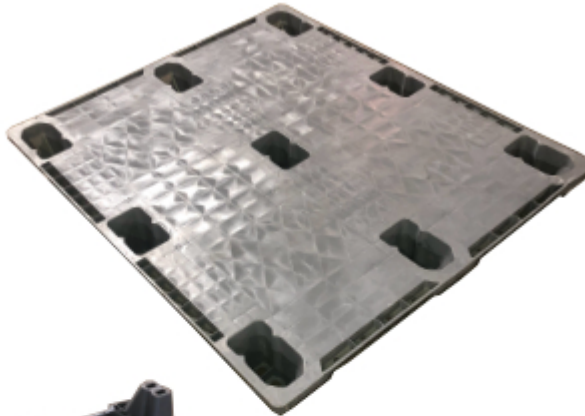
Static 3300 lbs
Dynamic 2200 lbs
Racking --

Entry 4-way
Truckload Qty 2370
Stack TL 79

Load capacities for used pallets may be unavailable or may have changed since issued. Unit load Sample Tests (ST) are recommended to confirm successful use with specific applications and equipment. TL (truckload) quantities are approximate and may vary by transport equipment or other factors.

Handling Data

Nestable Yes	Reusability One-Way & Multi-Trip	ISPM-15 Exempt Yes
Stackable No	Destination Export & Captive	Food Grade Yes, non-FDA
Rackable No	Airfreight Yes	Pharmaceutical Yes



Materials and Colors

Condition
Used

Material
HDPE/PP (Recycled)

Color
Varies

(High-Density Polyethylene/Polypropylene)

Colors and manufacturers vary and orders may be mixed. To avoid return freight charges ask your Sales Rep about special requests. All used pallets have been inspected and cleaned. Pallets may have limited cosmetic damage, but all are structurally sound.

Deck Specs

Top Deck
Closed

Bottom Deck
9 Feet - Nesting

Features

- Top deck has no lips or safety tabs
- Designed to easily secure wrapping
- Nesting saves storage & shipping costs
- Easy-to-clean hygienic design
- Suitable for packaged food items
(not approved for direct food contact)
- Impervious to acids, fats, solvents and odors
- Resists water absorption & bacteria growth
- Inert to infestation, mold and mildew
- Consistently dimensionally accurate
- Exempt from ISPM 15 shipping regulations

NelsonTM

The Nelson Company

(443) 649-5294

plastic@NelsonCompany.com

www.NelsonCompany.com

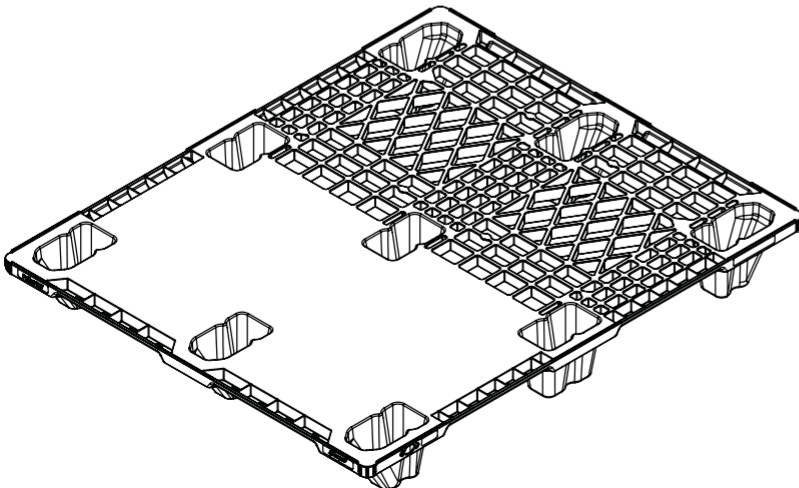
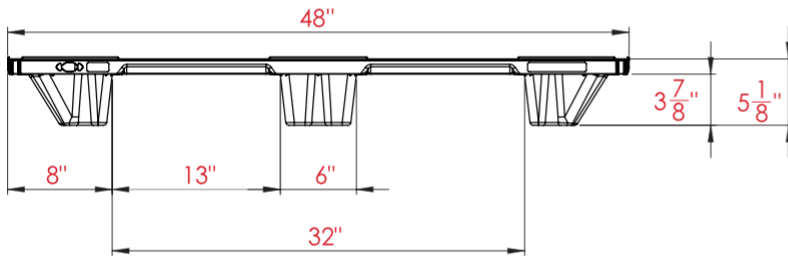
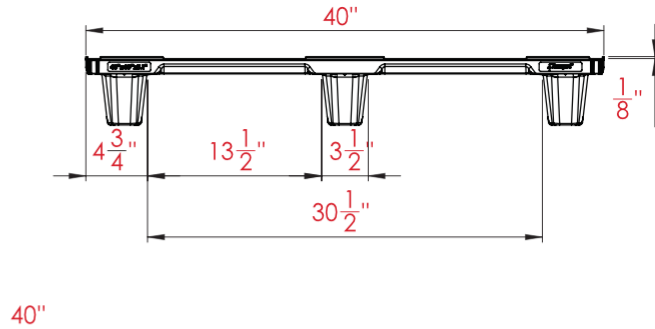
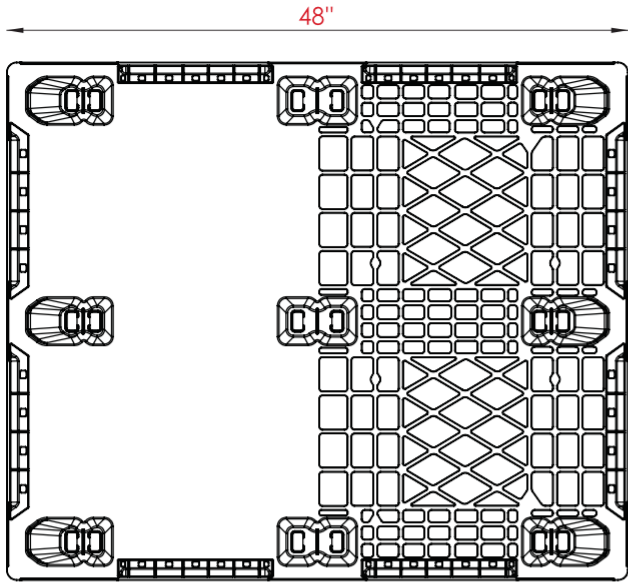
www.NelsonTechCenter.com

UP-4840-N-107USCD

48x40 (Standard)
Plastic Industrial Pallet



Technical Drawings



Nelson™

The Nelson Company

(443) 649-5294

plastic@NelsonCompany.com

www.NelsonCompany.com

www.NelsonTechCenter.com

Tech Sheet Generated On: 5/20/2024

Specs subject to change without notice. Provided for informational purposes only. Technical data are guideline values and may vary based on intended use, features, raw materials and environment. Nothing shall be construed as warranties or guarantees, express or implied, regarding products or their use, application, performance or otherwise.