

# CP-4840-FP-E6CD-3Rod

## 48x40 (Standard) Plastic Industrial Pallet



### Technical Data

Dimensions 48x40x6.1 inches (1219x1016x155 mm)  
Weight 54.0 lbs

#### Load Capacities

Static 11200 lbs  
Dynamic 5600 lbs  
Racking 2800 lbs

Entry 4-way  
Truckload Qty 510  
Stack TL / LTL 17 / 15

TL (truckload) and LTL (less-than-truckload) quantities are approximate and may vary by transport equipment or other factors.

### Handling Data

<b>Nestable</b> No	<b>Reusability</b> Multi-Trip	<b>ISPM-15 Exempt</b> Yes
<b>Stackable</b> Yes	<b>Destination</b> Captive	<b>Food Grade</b> Yes, non-FDA
<b>Rackable</b> Yes	<b>Airfreight</b> Yes	<b>Pharmaceutical</b> Yes

### Materials and Colors

**Condition**  
New

**Material** HDPP (Recycled)      **Color** Black (custom colors available)

(High-Density Polypropylene)

### Deck Specs

**Top Deck**  
Closed

**Bottom Deck**  
6 Runner - Perimeter+2 Cross  
(cruciform perimeter base)

#### Available Options:

RFID Transponders  
Individual Markings  
Anti-Slip Bottom Grommets and Top Safety Rim  
FDA Version

### Features

**Note:** CP-4840-FP-E6CD-3Rod was previously known as NPP-4840-FP-E6CD-3Rod

Ideal for closed loops or distribution chains across industry sectors including Electronics, Food, Retail, Medical and Pharmaceutical.

- High performance at low cost
- Includes 3 Rod Inserts for Increased Performance
- Allows for safe double stacking
- Easy-to-clean hygienic design
- Suitable for packaged food items  
(not approved for direct food contact)
- Impervious to acids, fats, solvents and odors
- Resists water absorption & bacteria growth
- Inert to infestation, mold and mildew
- Consistently dimensionally accurate
- Exempt from ISPM 15 shipping regulations



**Nelson**™

The Nelson Company  
(443) 649-5294

[plastic@NelsonCompany.com](mailto:plastic@NelsonCompany.com)

[www.NelsonCompany.com](http://www.NelsonCompany.com)

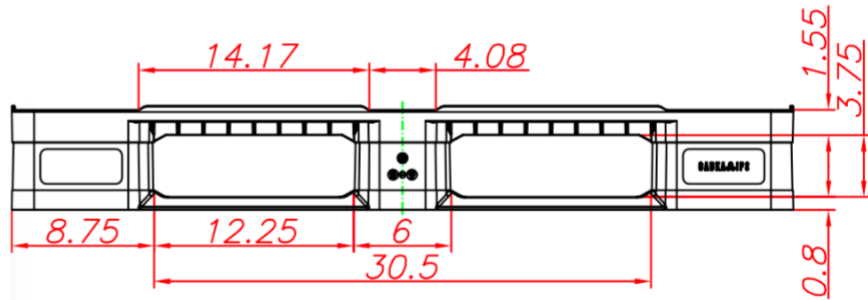
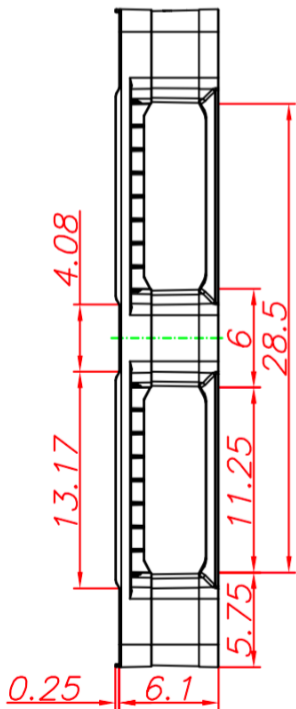
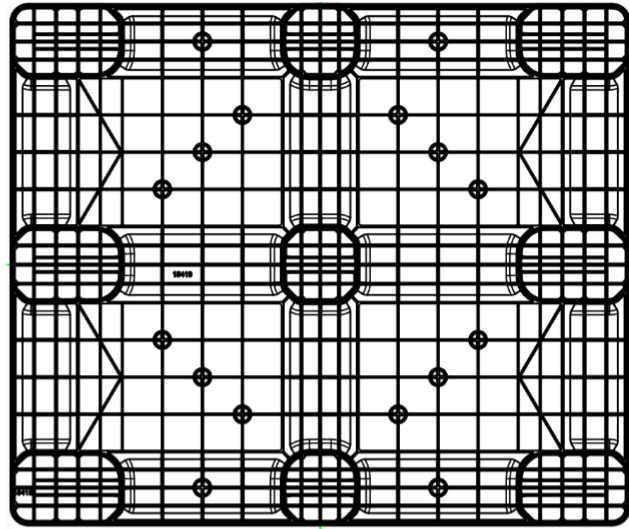
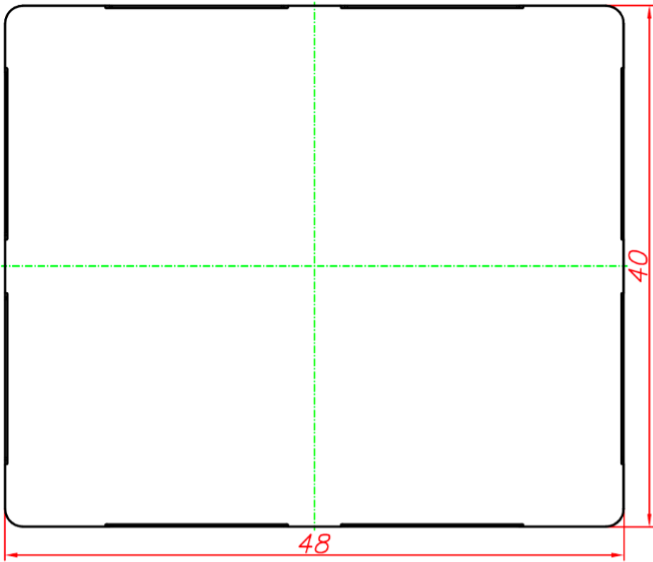
[www.NelsonTechCenter.com](http://www.NelsonTechCenter.com)

# CP-4840-FP-E6CD-3Rod

48x40 (Standard)  
Plastic Industrial Pallet



## Technical Drawings



**Nelson**<sup>TM</sup>

The Nelson Company  
(443) 649-5294

[plastic@NelsonCompany.com](mailto:plastic@NelsonCompany.com)

[www.NelsonCompany.com](http://www.NelsonCompany.com)

[www.NelsonTechCenter.com](http://www.NelsonTechCenter.com)