

# CP-4840-N-100-CD

## 48x40 (Standard) Plastic Industrial Pallet



### Technical Data

Dimensions 48x40x5.2 inches (1219x1016x132 mm)  
Weight 16.5 lbs

#### Load Capacities

Static 3500 lbs  
Dynamic 2200 lbs  
Racking --

Entry 4-way  
Truckload Qty 2400  
Stack TL 80

TL (truckload) quantities are approximate and may vary by transport equipment or other factors.

### Handling Data

<b>Nestable</b> Yes	<b>Reusability</b> One-Way	<b>ISPM-15 Exempt</b> Yes
<b>Stackable</b> No	<b>Destination</b> Export	<b>Food Grade</b> Yes, non-FDA
<b>Rackable</b> No	<b>Airfreight</b> Yes	<b>Pharmaceutical</b> Yes

### Materials and Colors

**Condition**  
New

**Material**  
HDPE/PP (Recycled)

**Color**  
Black

(High-Density Polyethylene/Polypropylene)

### Deck Specs

**Top Deck**  
Closed

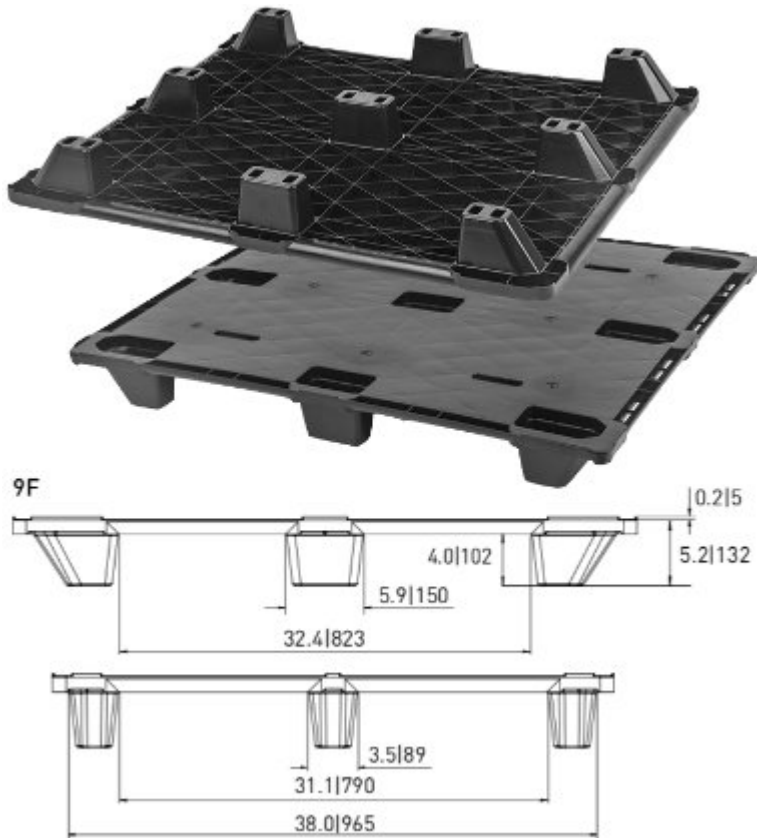
**Bottom Deck**  
9 Feet - Nesting

**Available Options:**  
Snap-on Runners  
Open Deck

### Features

**Note:** CP-4840-N-100-CD was previously known as NPP-4840-N-100ACMCD or NPP-4840-N-100PECD

- Lightweight and low height
- Nesting saves storage & shipping costs
- Low-cost Plastic Pallet
- Easy-to-clean hygienic design
- Suitable for packaged food items  
(not approved for direct food contact)
- Impervious to acids, fats, solvents and odors
- Resists water absorption & bacteria growth
- Inert to infestation, mold and mildew
- Consistently dimensionally accurate
- Exempt from ISPM 15 shipping regulations



**Nelson**™

The Nelson Company  
(443) 649-5294

[plastic@NelsonCompany.com](mailto:plastic@NelsonCompany.com)

[www.NelsonCompany.com](http://www.NelsonCompany.com)

[www.NelsonTechCenter.com](http://www.NelsonTechCenter.com)